



DESIGN REQUEST FORM

Date:

Customer Information Contractor Information

Name:

Address:

City:

State Zip Code:

Tel. No.

Company:

Address:

City:

State Zip Code:

Tel. No. Lic#

Photovoltaic Equipment

Module Manufacturer:

Model No.: Number of Module:

Inverter Manufacturer:

Model No.: Number of Inverter:

Optimizer (If Needed) Proposed System Size:

Electrical Service Information

MSP Manufacturer:

MSP Bus Rating: Main Breaker Size:

(If Upgrade) MSP Manufacturer:

MSP Bus Rating: Main Breaker Size:

Existing: Sub Panel Load Center Size: Upgrade: Sub Panel Load Center Size:

AC Disconnect Required: Yes No Size: Roof Mounted AC Switch: Yes No

Performance Meter Required: Yes No Utility Company:

Grounding Type: Weeb Lugs Conduit Run: Through Attic Space Above Roof

Contractor's Signature..... Date.....
(Acknowledging Completed)

*Any design changes per contractor after being signed may result in an additional charge

Roof & Racking Information

Roof Type: Roof Pitch:

Rafter Size: Rafter Spacing: Attachment Spacing:

Attachment Type: Flush Mounted Tilt-Up Reverse Tilt Sealant Type:

Racking Manufacturer: Rail Length:

Attachment Manufacturer:

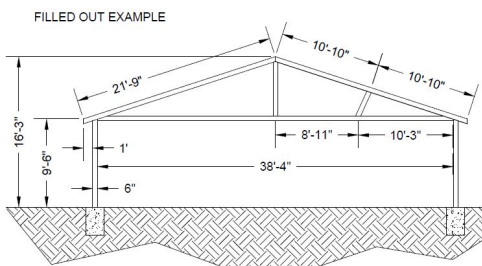
Stand Off Height: Tilt-Up Degrees:

Tile Hook Manufacturer: Reverse Tilt Degrees:

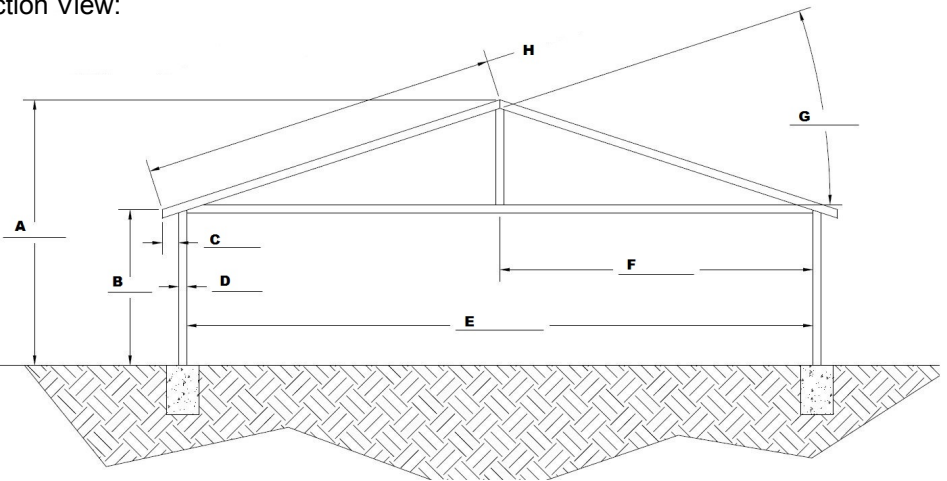
Others:

Note:

Roof Framing / Structural Drawing:



Section View:



A: D: G:

B: E: H:

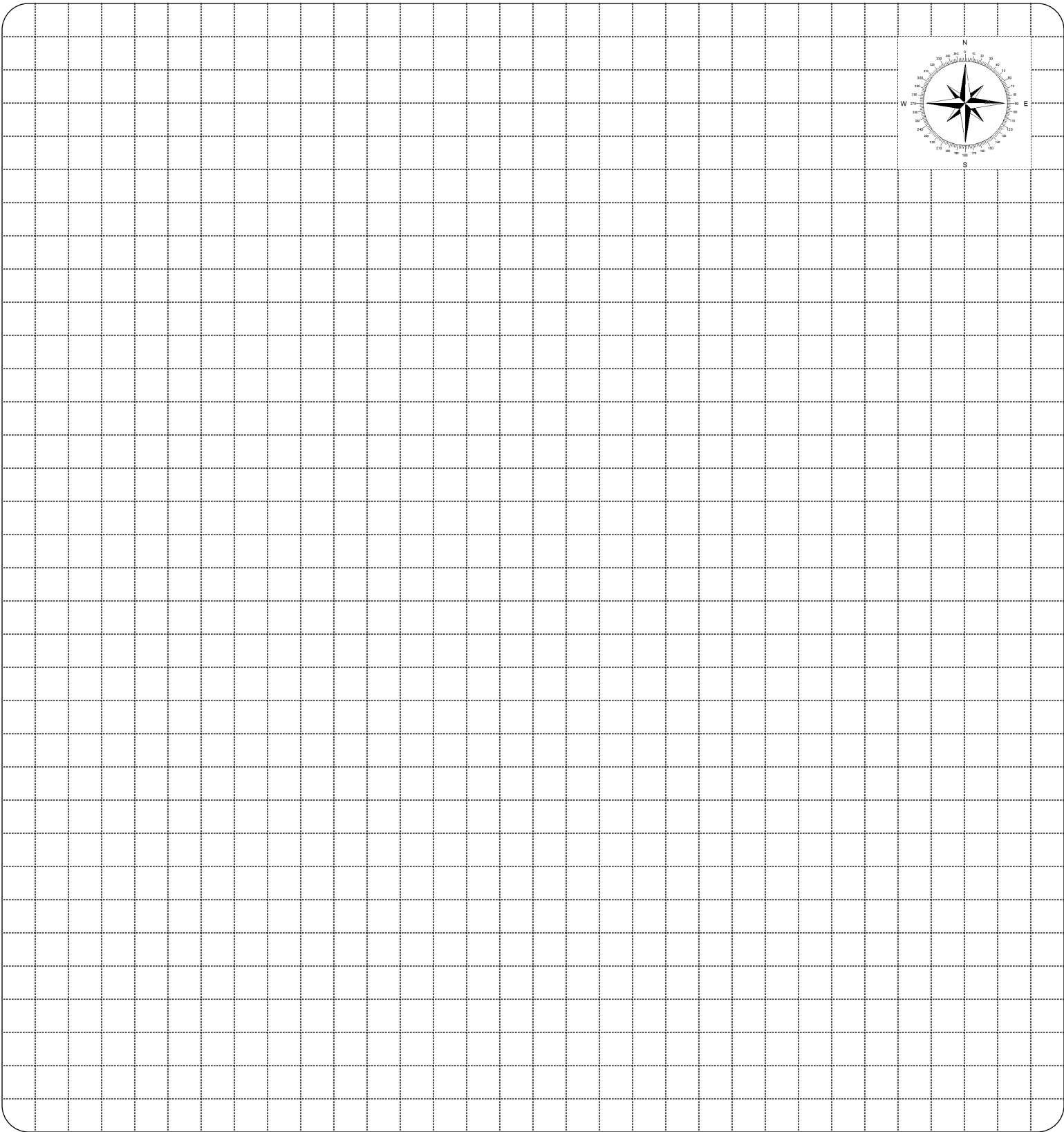
C: F:

*Add trusses and additional dimension if needed.

Contractor's Signature..... Date.....
 (Acknowledging Completed)

*Any design changes per contractor after being signed may result in an additional charge

Sketch - Solar Panel Array:

A large grid for sketching a solar panel array. The grid is composed of small squares. In the top right corner of the grid, there is a compass rose with a star in the center and degree markings around the perimeter. The cardinal directions are labeled: N (North) at the top, S (South) at the bottom, E (East) on the right, and W (West) on the left.

Contractor's Signature..... Date.
(Acknowledging Completed)

*Any design changes per contractor after being signed may result in an additional charge