

Sunmodule⁺™

SW 245 poly / Version 2.5 Frame

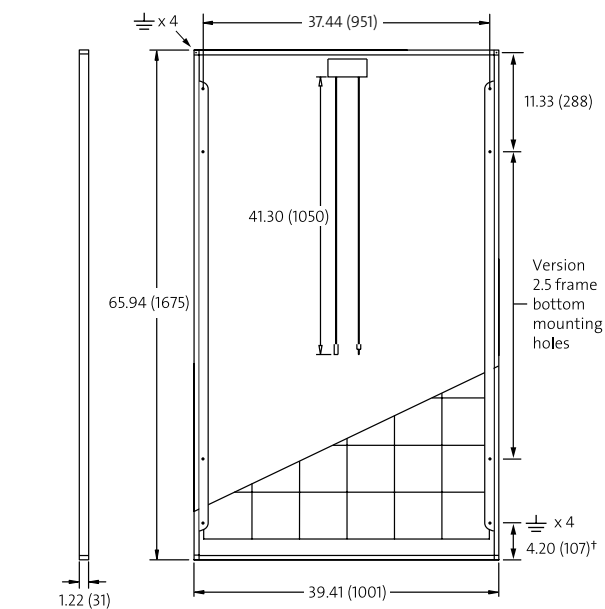
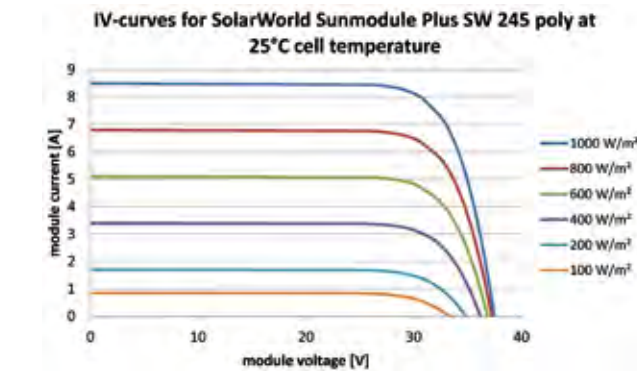
PERFORMANCE UNDER STANDARD TEST CONDITIONS (STC)*

		SW 245
Maximum power	P _{max}	245 Wp
Open circuit voltage	V _{oc}	37.5 V
Maximum power point voltage	V _{mpp}	30.8 V
Short circuit current	I _{sc}	8.49 A
Maximum power point current	I _{mpp}	7.96 A

*STC: 1000W/m², 25°C, AM 1.5

THERMAL CHARACTERISTICS

NOCT	46 °C
TC I _{sc}	0.081 %/K
TC V _{oc}	-0.37 %/K
TC P _{mpp}	-0.45 %/K
Operating temperature	-40°C to 85°C



PERFORMANCE AT 800 W/m², NOCT, AM 1.5

		SW 245
Maximum power	P _{max}	176.4 Wp
Open circuit voltage	V _{oc}	33.7 V
Maximum power point voltage	V _{mpp}	27.7 V
Short circuit current	I _{sc}	6.84 A
Maximum power point current	I _{mpp}	6.37 A

Minor reduction in efficiency under partial load conditions at 25°C: at 200W/m², 95% (+/-3%) of the STC efficiency (1000 W/m²) is achieved.

COMPONENT MATERIALS

Cells per module	60
Cell type	Poly crystalline
Cell dimensions	6.14 in x 6.14 in (156 mm x 156 mm)
Front	tempered glass (EN 12150)
Frame	Clear anodized aluminum
Weight	46.7 lbs (21.2 kg)

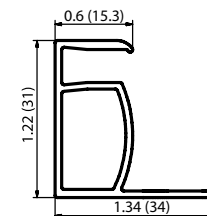
SYSTEM INTEGRATION PARAMETERS

Maximum system voltage SC II	1000 V	
Max. system voltage USA NEC	600 V	
Maximum reverse current	16 A	
Number of bypass diodes	3	
UL Design Loads*	Two rail system	113 psf downward 64 psf upward
UL Design Loads*	Three rail system	170 psf downward 64 psf upward
IEC Design Loads*	Two rail system	113 psf downward 50 psf upward

*Please refer to the Sunmodule installation instructions for the details associated with these load cases.

ADDITIONAL DATA

Power tolerance ²⁾	-0 Wp / +5 Wp
J-Box	IP66
Connector	MC4
Module efficiency	14.61 %
Fire rating (UL 790)	Class C



- VERSION 2.5 FRAME**
- Compatible with both "Top-Down" and "Bottom" mounting methods
 - ⚡ Grounding Locations:
 - 4 corners of the frame
 - 4 locations along the length of the module in the extended flange[†]



Sunmodule⁺™

SW 245 poly / Version 2.5 Frame

World-class quality

Fully-automated production lines and seamless monitoring of the process and material ensure the quality that the company sets as its benchmark for its sites worldwide.

SolarWorld Plus-Sorting

Plus-Sorting guarantees highest system efficiency. SolarWorld only delivers modules that have greater than or equal to the nameplate rated power.

25 years linear performance guarantee and extension of product warranty to 10 years

SolarWorld guarantees a maximum performance degradation of 0.7% p.a. in the course of 25 years, a significant added value compared to the two-phase warranties common in the industry. In addition, SolarWorld is offering a product warranty, which has been extended to 10 years.*

*in accordance with the applicable SolarWorld Limited Warranty at purchase. www.solarworld.com/warranty



We turn sunlight into power.

1) Sunmodules dedicated for the United States and Canada are tested to UL 1703 Standard and listed by a third party laboratory. The laboratory may vary by product and region. Check with your SolarWorld representative to confirm which laboratory has a listing for the product.
 2) Measuring tolerance traceable to TUV Rheinland: +/- 2% (TUV Power Controlled).
 3) All units provided are imperial. SI units provided in parentheses.