

Sunmodule® SW 245 - 255 poly black / Pro-Series



TUV Power controlled:
Lowest measuring tolerance in industry



Every component is tested to meet
3 times IEC requirements



Designed to withstand heavy
accumulations of snow and ice



Sunmodule Plus:
Positive performance tolerance



25-year linear performance warranty
and 10-year product warranty



Glass with anti-reflective coating



World-class quality

Fully-automated production lines and seamless monitoring of the process and material ensure the quality that the company sets as its benchmark for its sites worldwide.

SolarWorld Plus-Sorting

Plus-Sorting guarantees highest system efficiency. SolarWorld only delivers modules that have greater than or equal to the nameplate rated power.

25 years linear performance guarantee and extension of product warranty to 10 years

SolarWorld guarantees a maximum performance degradation of 0.7% p.a. in the course of 25 years, a significant added value compared to the two-phase warranties common in the industry. In addition, SolarWorld is offering a product warranty, which has been extended to 10 years.*

*in accordance with the applicable SolarWorld Limited Warranty at purchase.
www.solarworld.com/warranty



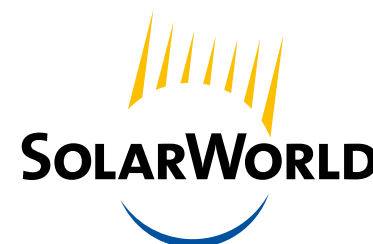
• Qualified, IEC 61215
• Safety tested, IEC 61730
• Periodic Inspection
• Blowing sand resistant



• Ammonia resistance tested
• Periodic Inspection
• Power Controlled



PERFORMANCE TESTED
SALT MIST RESISTANT
PHOTOVOLTAIC PRODUCT



We turn sunlight into power.

Sunmodule® SW 245 - 255 poly black / Pro-Series

PERFORMANCE UNDER STANDARD TEST CONDITIONS (STC)*

		SW 245	SW 250	SW255
Maximum power	P_{max}	245 Wp	250 Wp	255 Wp
Open circuit voltage	V_{oc}	37.3 V	37.6 V	38.0 V
Maximum power point voltage	V_{mpp}	30.1 V	30.5 V	30.9 V
Short circuit current	I_{sc}	8.75 A	8.81 A	8.88 A
Maximum power point current	I_{mpp}	8.22 A	8.27 A	8.32 A

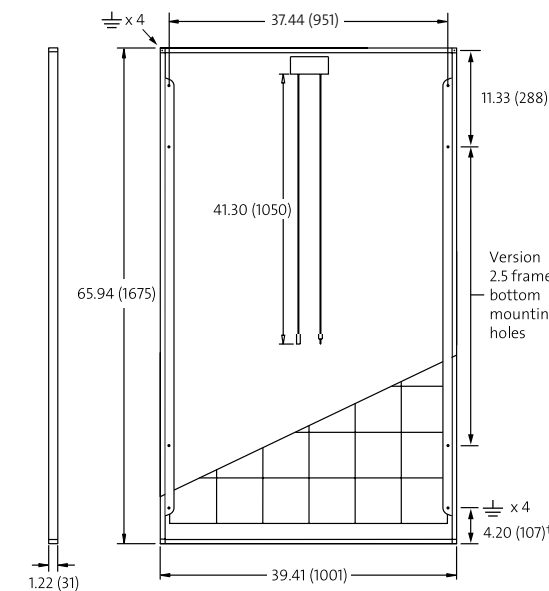
Measuring tolerance (P_{max}) traceable to TUV Rheinland: +/-2% (TUV Power controlled)

*STC: 1000W/m², 25°C, AM 1.5

PERFORMANCE AT 800 W/M², NOCT, AM 1.5

		SW 245	SW 250	SW255
Maximum power	P_{max}	182.3 Wp	185.4 Wp	188.7 Wp
Open circuit voltage	V_{oc}	34.0 V	34.2 V	34.5 V
Maximum power point voltage	V_{mpp}	27.4 V	27.8 V	28.1 V
Short circuit current	I_{sc}	7.19 A	7.24 A	7.30 A
Maximum power point current	I_{mpp}	6.64 A	6.68 A	6.72 A

Minor reduction in efficiency under partial load conditions at 25° C: at 200 W/m², 100% (+/-2%) of the STC efficiency (1000 W/m²) is achieved.



DIMENSIONS

Length	65.94 in (1675 mm)
Width	39.41 in (1001 mm)
Height	1.22 in (31 mm)
Frame	Clear anodized aluminum
Weight	46.7 lbs (21.2 kg)

COMPONENT MATERIALS

Cells per module	60
Cell type	Poly crystalline
Cell dimensions	156 mm x 156 mm
Front	Tempered glass (EN 12150)

THERMAL CHARACTERISTICS

NOCT	46°C
TCI_{sc}	0.081 %/°C
TCV_{oc}	-0.37 %/°C
TCP_{mpp}	-0.45 %/°C

ADDITIONAL DATA

Power sorting	-0 Wp/+5 Wp
J-Box	IP65
Module leads	PV wire per UL4703 with H4 connectors

PARAMETERS FOR OPTIMAL SYSTEM INTEGRATION

Maximum system voltage SC II	1000 V
Maximum reverse current	16 A
Load / dynamic load	5.4/2.4 kN/m ²
Number of bypass diodes	3
Operating range	-40° C to +85° C

