

\*Black Frame Product is Optional

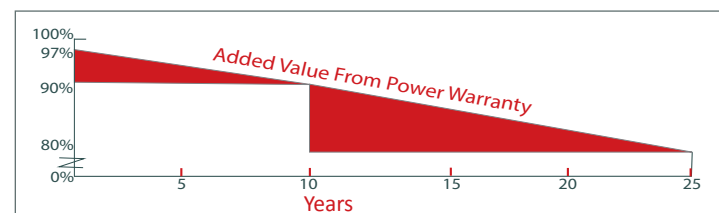
## CS6P

250 | 255 | 260M

### THE BEST IN CLASS

Canadian Solar's PV modules are the best in class in terms of power output and long-term reliability. Our meticulous product design and stringent quality control processes ensure our modules deliver a higher PV energy yield in live PV systems as well as in PVsyst's system simulations. Our in-house PV testing facilities guarantee all module component materials meet the highest quality standards possible.

### PRODUCT | WARRANTY & INSURANCE



**25 Year** Industry leading linear power output warranty  
**10 Year** Product warranty on materials and workmanship



Canadian Solar provides 100% non-cancellable, and immediate warranty insurance.

### PRODUCT & MANAGEMENT SYSTEM | CERTIFICATES

IEC61215/IEC61730: VDE/MCS/CE/CEC AU/CQC  
 CEC listed (US)/FSEC (US Florida)  
 UL1703: CSA | IEC61701 ED2: VDE | IEC62716: TUV | IEC60068-2-68:SGS  
 PV CYCLE | UNI9177

ISO9001:2008 | Quality management system  
 ISOTS16949:2009 | The automotive industry quality management system  
 ISO14001:2004 | Standards for environmental management system  
 QC080000:2012 | The certificate for hazardous substances process management  
 OHSAS 18001:2007 | International standards for occupational health and safety

Canadian Solar Inc.

Founded in 2001 in Canada, Canadian Solar Inc., (NASDAQ:CSIQ) is one of the world's largest and foremost solar power companies. As a leading manufacturer of solar modules and PV project developer with about 6 GW of premium quality modules deployed around the world more than a decade, Canadian Solar is one of the most bankable solar companies in the world. Canadian Solar operates in six continents with customers in over 70 countries. Canadian Solar is committed to providing high-quality solar products, solar system solutions and services to customers around the world.

### ELECTRICAL DATA | STC

Electrical Data	CS6P-250M	CS6P-255M	CS6P-260M
Nominal Maximum Power (Pmax)	250W	255W	260W
Optimum Operating Voltage (Vmp)	30.4V	30.5V	30.7V
Optimum Operating Current (Imp)	8.22A	8.35A	8.48A
Open Circuit Voltage (Voc)	37.5V	37.7V	37.8V
Short Circuit Current (Isc)	8.74A	8.87A	8.99A
Module Efficiency	15.54%	15.85%	16.16%
Operating Temperature	-40°C~+85°C		
Maximum System Voltage	600V (UL)/1000V (UL)/1000V (IEC)		
Maximum Series Fuse Rating	15A		
UL Fire Classification	Class C		
Power Tolerance	0~+5W		

\*Under standard test conditions (STC) of irradiance of 1000W/m<sup>2</sup>, spectrum AM 1.5 and cell temperature of 25°C

### ELECTRICAL DATA | NOCT

Electrical Data	CS6P-250M	CS6P-255M	CS6P-260M
Nominal Maximum Power (Pmax)	180W	184W	188W
Optimum Operating Voltage (Vmp)	27.7V	27.8V	28.0V
Optimum Operating Current (Imp)	6.51A	6.62A	6.70A
Open Circuit Voltage (Voc)	34.4V	34.6V	34.7V
Short Circuit Current (Isc)	7.08A	7.18A	7.28A

\*Under nominal operating temperature (NOCT), irradiance of 800 W/m<sup>2</sup>, spectrum AM 1.5, ambient temperature 20°C wind speed 1 m/s.

### PRODUCT | MECHANICAL DATA

Specification	Data
Cell Type:	Mono-crystalline 156 x 156mm.
Cell Arrangement:	60 (6 x 10)
Dimensions:	1638 x 982 x 40mm (64.5 x 38.7 x 1.57in)
Weight:	18.5kg (40.8 lbs.)
Front Cover:	3.2mm tempered glass
Module Frame Material:	Anodized aluminum alloy
J-Box:	IP65 or IP67, 3 diodes
Cable:	4mm <sup>2</sup> (IEC)   4mm <sup>2</sup> & 12AWG (UL 1000V)/12AWG (UL 600V), 1000mm
Connectors:	MC4 or MC4 Comparable
Standard Packaging:	24 pcs, 504kg (Quantity and weight per pallet)
Module Pieces per Container:	672 pcs (40' HQ)

### TEMPERATURE | CHARACTERISTICS

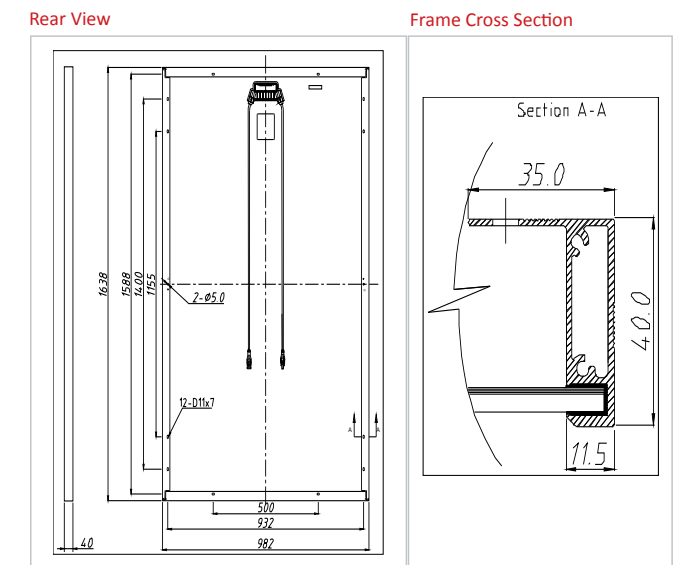
Specification	Data
Temperature Coefficient (Pmax)	-0.45%/°C
Temperature Coefficient (Voc)	-0.35%/°C
Temperature Coefficient (Isc)	0.060%/°C
Normal Operating Cell Temperature	45±2°C

### PERFORMANCE | AT LOW IRRADIANCE

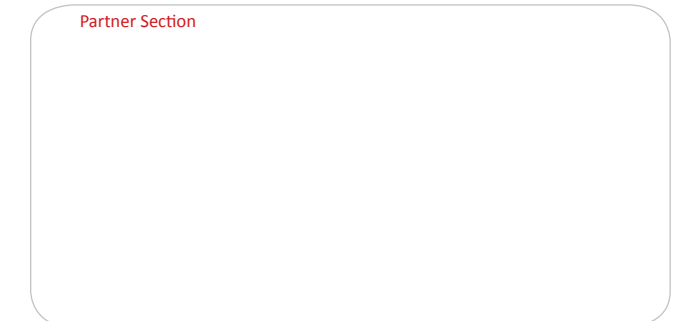
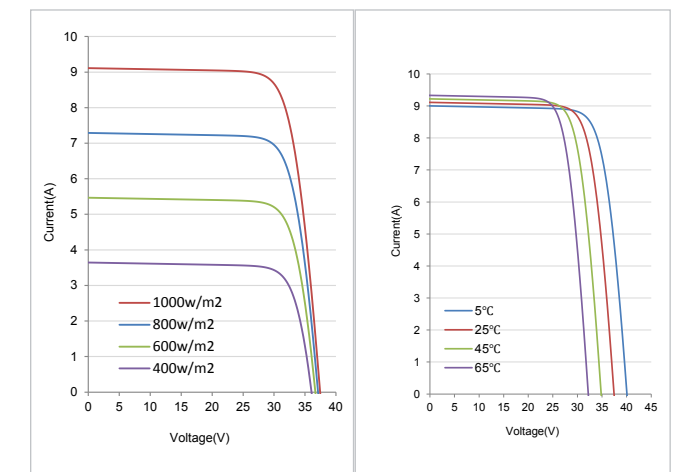
Industry leading performance at low irradiation environments, +95.5% PV module efficiency from an irradiance of 1000w/m<sup>2</sup> to 200w/m<sup>2</sup> (AM 1.5, 25°C.)

We, Canadian Solar Inc., hereby disclaim any representation, warranty or guarantee that the information provided in this datasheet is accurate, correct, reliable or current. No party may claim reliance on any information furnished herein. Specifications, pictures, drawings, product features and certifications described in this datasheet are for reference purposes only. We reserve the right to make any adjustments to the information contained herein at any time without notice. Please always obtain the most recent revision of datasheet which shall be duly signed by the authorized representatives of both parties and incorporated into the binding contract made by the parties governing all transaction related to the purchase and sale of the products described herein.

### MODULE | ENGINEERING DRAWING



### CS6P-260M | I-V CURVES



### PRODUCT | KEY FEATURES

- Excellent Module Efficiency  
Up to 16.16%
- High Performance at Low Irradiance  
Above 95.5%
- Positive Power Tolerance  
Up to 5W
- High PTC Rating  
Up to 91.3%
- Anti-Soil Buildup, Anti-Reflective  
Module Surface
- IP67 Junction Box  
Long-Term Weather Endurance
- Heavy Snow Load  
Up to 5400Pa
- Salt Mist, Ammonia and Blowing Sand  
Resistance, Apply to Seaside, Farm and  
Desert Environment